

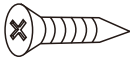
Assembly Instructions

A



X4

B



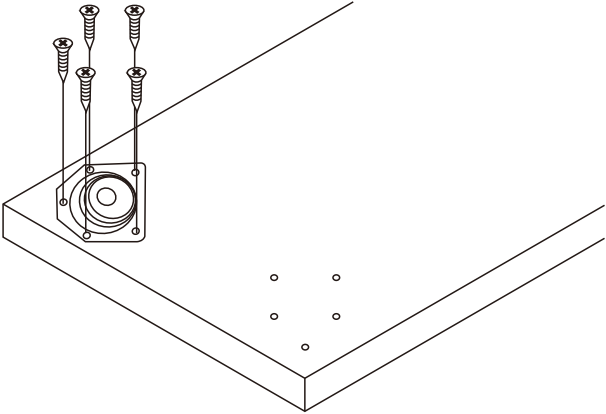
X16

C

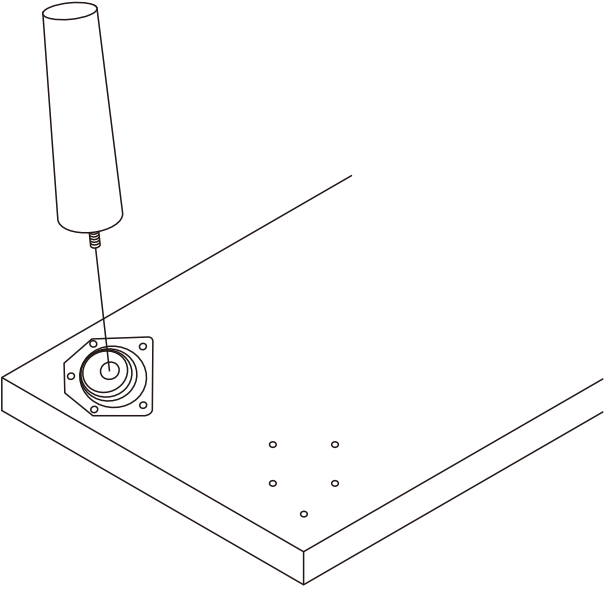


X4

Step 1



Step 2



Step 3

